

LG STUDIO

SWWE50N3/SWWG50N3

Front Load 5.0 cu. ft. Washer and 7.4 cu. ft. Dryer Wash Tower

5.0 cu. ft. Washer and 7.4 cu. ft. Dryer Single Unit Wash Tower™

AI Sensor Dry and TurboSteam®

Allergiene® Cycle

AI DD® 2.0 Advanced Washing with Soil Sensor and TurboWash® 360

Touch Electronic Center Control® Panel with LCD Display

ezDispense® Automatic Dispenser

Tinted Round Tempered Glass Door

ThinQ® Technology with ThinQ Care

ENERGY STAR® Most Efficient



SUMMARY	Washer	Dryer
Type	Front Load Washer	Front Load Dryer
Capacity (cu.ft.)	5.0 cu. ft.	7.4 cu. ft.
Color	Noble Steel	
APPEARANCE	Washer	Dryer
Touch Buttons	Yes	-
LCD Display	Yes	-
Center Control™	Yes	-
ENERGY	Washer	Dryer
ENERGY STAR® Qualified	Yes	-
CEE Tier	Advanced Tier	-
IMEF	3.1	-
IWF	2.9	-
CEF	-	Electric: 3.94 Gas: 3.49
PROGRAMS	Washer	Dryer
No. of Programs	12 (+14)	12 (+13)
	Normal, AI Wash, Bedding, Delicates, Towels, Quick Wash, Heavy Duty, Allergiene™, Perm. Press, Tub Clean, Bright Whites™, Sanitary	Normal, AI Dry, Bedding, Delicates, Towels, Quick Dry, Timed Dry, Antibacterial, Perm. Press, Steam Fresh™, Heavy Duty, Air Dry
OPTIONS	Washer	Dryer
No. of Options	18	14
	TurboWash™, Steam, Extra Rinse, Pre-wash, Drum Light, Control Lock, Signal, Wi-Fi/Remote Start, ezDispense™, Cold Wash™, Fresh Care, Delay Wash, Cycle List Edit, ezDispense™ Nozzle Clean, Smart Diagnosis, Cycle Optimization, Brightness, Factory Reset	TurboSteam™, Energy Saver, Low Static, Wrinkle Care, Damp Dry Signal, Drum Light, Cycle List Edit, Signal, Smart Diagnosis, Control Lock, Cycle Optimization, Wi-Fi/Remote Start, Brightness, Factory Reset
DETAILS	Washer	Dryer
No. of Wash/Rinse Temps	5	-
Wash/Rinse Temps	Hot, Very Warm, Warm, Cool, Cold	-
No. of Spin Speeds	5	-
Spin Speeds	High, Medium/High, Medium, Low, No Spin	-
Max RPM	1300	-
Water Levels	Load Sensing	-
No. of Soil Levels	5	-
Temperature Settings	-	High, Medium/High, Medium, Low/Medium, Low
Drying Levels	-	Very, More, Normal, Less, Damp

Manual Dry Times	-	60 min., 50 min., 40 min., 30 min., 20 min.
FABRIC CARE FEATURES	Washer	Dryer
AI DD™	Yes	-
TurboWash™ 360 Technology	Yes	-
Steam Technology	Yes	-
Allergiene™ Cycle	Yes (Cloud Cycle)	-
Sanitary Cycle	Yes	-
AI Sensor Dry™	-	Yes
Sensor Dry	-	Yes
Precise Temperature Control with Variable Heater	-	Yes
Steam Technology	-	Yes (TurboSteam™)
CONVENIENCE FEATURES	Washer	Dryer
Vibration sensing (Cabinet Vibration sensor)	Yes	-
TrueBalance™ Anti-Vibration System	Yes	-
4 Tray Dispenser	-	Prewash, Main Wash (with liquid detergent cup), Bleach, Fabric Softener
End of Cycle Signal	Yes	-
LoadSense	Yes	-
Soil Level Sense	Yes	-
Control Lock	Yes	Yes
Auto Suds Removal	Yes	-
Leveling Legs	4 Adjustable Legs	4 Adjustable Legs
Drum Light	Yes	-
Remaining Time Display/Status Indicator(s)	Yes	Yes
3 Minute Installation Check	-	Yes
End of Cycle Signal	-	Yes
Drum Light	-	Yes
FlowSense™ Duct Clogging Indicator	-	Yes
Wrinkle Care Option	-	Yes
Venting Option	-	Electric: 3 Way Venting / Gas: 2 Way Venting
ThinQ® TECHNOLOGY	Washer	Dryer
SmartDiagnosis™ (v3.0)	Yes	-
Wi-Fi	Yes	-
ThinQ Care	Yes	-
Remote Start and Cycle Monitor	Yes	-
Energy Monitoring	Yes	-
Tub Clean Coach	Yes	-
MOTOR AND AGITATOR	Washer	Dryer
Motor Type	Inverter Direct Drive Motor	-
Axis	Horizontal	-

MATERIALS AND FINISHES	Washer	Dryer
NeveRust™ Stainless Steel Drum	-	Yes
Control Panel	-	Plastic
Top Plate	-	Steel
Cabinet	-	Painted Steel
Door / Rim	-	Large Circle Chrome Rim
Door Cover	-	Tinted Round Tempered Glass
All Available Colors	Noble Steel	
CERTIFICATION	Washer	Dryer
AAFA	Yes	-
POWER SOURCE	Washer	Dryer
Ratings	CSA Listed	-
Electrical Requirements	120V, 10 Amps	-
Type	Electric	-
Ratings	-	CSA Listed 240V, 30 Amps (Electric) / 120V, 15 Amps (Gas)
Electrical Requirements	-	Electric / Gas
BTU Rating	-	Gas: 20,000
LP Conversion Kit	-	383EEL3002D
Side Venting Kit	-	3911EZ9131X
DIMENSIONS	Washer	Dryer
Product (WxHxD)	27" x 74 3/8" x 32 5/8"	
Depth with Door Open	58" D with door open	
Carton (WxHxD)	30 1/16" x 79 11/32" x 33 23/32"	
Weight (Product/Carton)	Electric: 333 lbs. / 368 lbs. / Gas: 336 lbs. / 371 lbs.	
LIMITED WARRANTY	Washer	Dryer
Parts and Labor	2 Year	-
Drum	-	3 Years
Direct Drive Motor	10 Years	-
UPC CODES		
SWWE50N3 (Noble Steel)	195174054413	-
SWWG50N3 (Noble Steel)	195174054420	-

SWWE50N3/SWWG50N3

Laundry Center

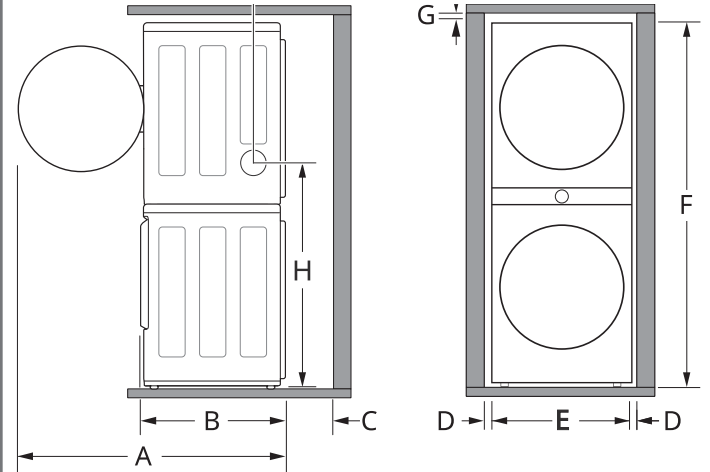
QUICK INSTALL & CLEARANCES

For full installation directions/clearances please refer to the corresponding User Manual and Installation Guide.

POWER SOURCE	WASHER	DRYER
Ratings	CSA & UL Listed	—
Electrical Requirements	120V, 10 Amps	—
Type	Electric	—
Ratings	—	CSA & UL Listed
Electrical Requirements	—	120V, 15 Amps (Gas) 240V 30 Amps (Electric)
Type	—	Gas / Electric
BTU Rating	—	20,000 Feet
LP Conversion Kit	—	383EEL3002D
Side Venting Kit	—	383EEL9001B
Rack	—	Yes
CERTIFICATION	WASHER	DRYER
AAFA	Yes	—
Intertek	Yes(Sanitary cycle)	Yes(Antibacterial cycle)

DIMENSIONS / CLEARANCES

A	Depth with Door Open	58"
B	Depth	32 5/8"
C	Rear Clearance	4"
D	Side Clearances	1"
E	Width	27"
F	Height	74 3/8"
G	Top Clearance	1"
H		41 3/8"
I		6 1/16"



INSTALLATION OVERVIEW

Please read the **Installation Manual** first after purchasing this appliance or transporting it to another location.

- 1 Choosing the Proper Location
- 2 Unpacking and Removing Shipping Material
- 3 Connecting the Electric Dryer
- 4 Connecting the Gas Dryer
- 5 Venting the Dryer
- 6 Connecting the Inlet Hoses
- 7 Connecting the Drain Hose
- 8 Leveling the Appliance
- 9 Final Installation Check

