

ME16A4021AS

SAMSUNG

1.6 cu. ft. Over-the-Range Microwave



Signature Features

1000W Cooking Power

- With a cooking power of 1000 Watts, this Samsung over-the-range microwave allows you to cook a variety of foods more efficiently.




1.6 cu. ft. Capacity

- Accommodates a variety of snacks and meal items to prepare foods quickly and easily.

300 CFM Ventilation System

- Powerful 300 CFM ventilation fan quickly and quietly eliminates food odors.

Available Colors

-  Stainless Steel (shown)
-  White
-  Black



1.6 cu. ft. Capacity



300 CFM Ventilation System

Features

- 1.6 cu. ft. Oven Capacity
- 1000 Watts of Cooking Power
- 300 CFM Ventilation System
- Charcoal/Grease Vent Filter
- 10 Power Levels
- Auto Defrost/Auto Reheat
- Auto Cook
- +30 Sec Button
- Turntable

Convenience

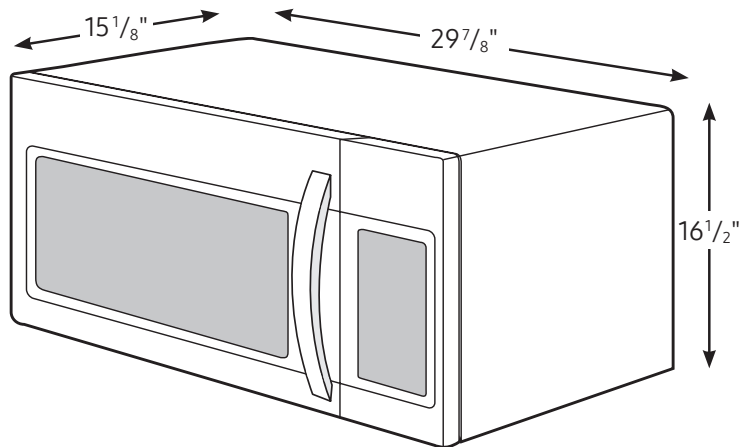
- Kitchen Timer
- Interior Light: Incandescent (1)
- Cooktop Lighting: High/Low/Off
- Vent Fan Speed: Hi/Low
- Eco Mode (Reduces Standby Power)

ME16A4021AS

1.6 cu. ft. Over-the-Range Microwave

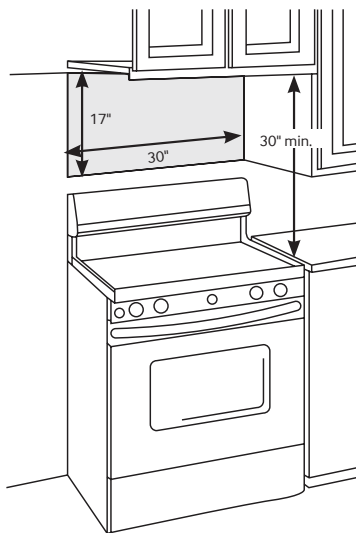
SAMSUNG

Dimensions



Installing Your Microwave

- This microwave oven is designed for adaptation to the following three types of ventilation:
 - A. Outside Top Exhaust (Vertical Duct)
 - B. Recirculating (Non-Vented Ductless)
 - C. Outside Back Exhaust (Horizontal Duct)
- The space between the cabinets must be 30" wide and free of obstructions.
- This microwave oven is for installation over ranges up to 36" wide.
- The microwave must be level. Use a level to make sure the cabinet bottom is level. If the cabinets have a front overhang only, with no back or side frame, install the mounting plate down the same distance as the front overhang depth. This will keep the microwave level.



Specifications

- Oven Cavity: 1.6 cu. ft.
- Power Output: 1000W
- Power Consumption: 1580W/13.5 A
- Power Source: 120V/60 Hz
- Control Method: Digital (Membrane Touch)
- Display: LED
- Cooking Control: 10 Power Levels Including Defrost
- Cooking Timer: Digital, 99 Minutes, 99 Seconds
- Turntable
- Glass Turntable Diameter: 11 1/2"
- Vent Fan: 300 CFM
- Vent Fan Speed: Hi/Low
- Cooktop Lighting: High/Low/Off

Warranty

One (1) Year All Parts and Labor
Ten (10) Years Parts on Magnetron

Product Dimensions & Weight (WxHxD)

Cavity Dimensions: 19⁵/₁₆" x 9⁵/₈" x 14³/₈"

Outside Net Dimensions: 29⁷/₈" x 16¹/₂" x 15¹/₈"

Weight: 44.2 lbs. (Stainless Steel)

43.3 lbs. (White, Black)

Shipping Dimensions & Weight (WxHxD)

Dimensions: 33³/₈" x 19¹⁵/₁₆" x 19¹³/₃₂"

Weight: 51.8 lbs. (Stainless Steel)

50.8 lbs. (White, Black)

Color

Stainless Steel

White

Black

Model

ME16A4021AS

ME16A4021AW

ME16A4021AB

UPC Code

887276532936

887276532943

887276532929

FOR EASIER INSTALLATION AND PERSONAL SAFETY, WE RECOMMEND THAT TWO PEOPLE INSTALL THIS MICROWAVE OVEN. IMPORTANT: Do not grip or use handle during installation.

NOTE: If your cabinet is metal, use the nylon grommet around the power cord hole to prevent cutting of the cord.

NOTE: We recommend using filler blocks if the cabinet front hangs below the cabinet bottom shelf.

IMPORTANT: If filler blocks are not used, case damage may occur from overtightening screws.

NOTE: When mounting the microwave oven, thread power cord through hole in bottom of top cabinet. Do not pinch cord or lift oven by pulling cord.